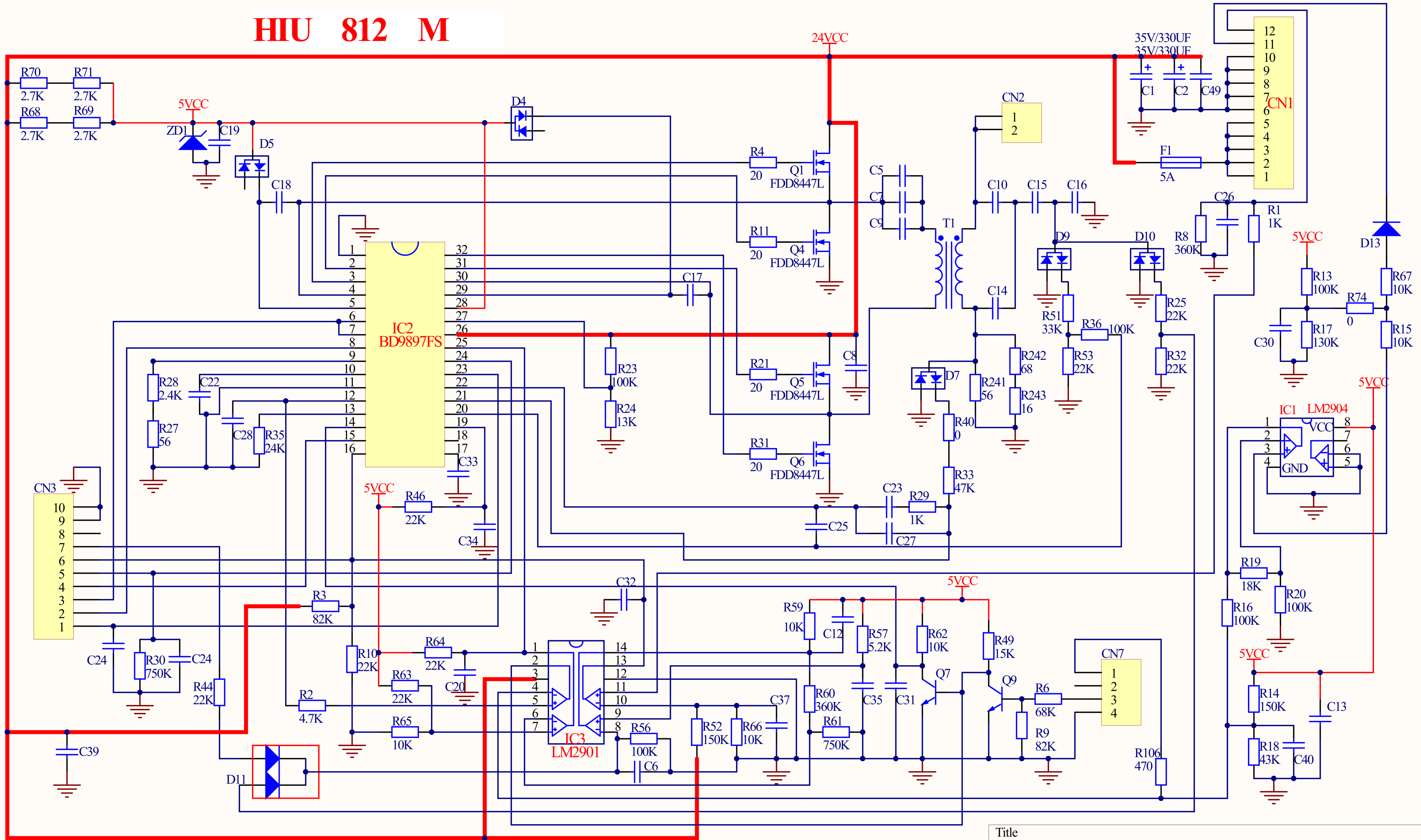


HIU 812 M



| Title | | |
|-------|--------------------|-----------|
| Size | Number | Revision |
| A4 | | |
| Date: | 2009-1-10 | Sheet of |
| File: | E:\ \. \. \.SCHDOC | Drawn By: |